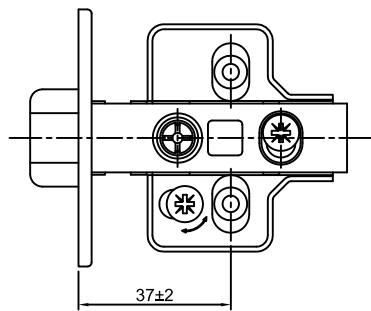
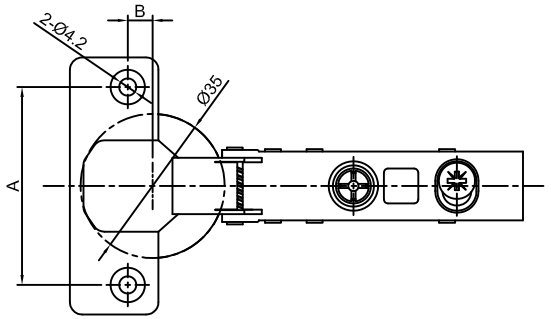


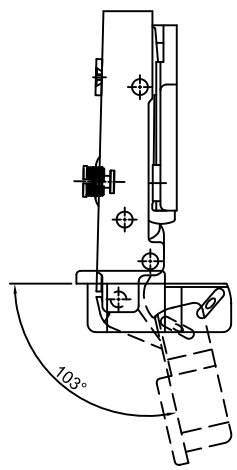


Notes:
1. Material: Steel

A*B
52*5.5
48*6
45*9.5



Adjustable distance of the plate:4mm



Reta

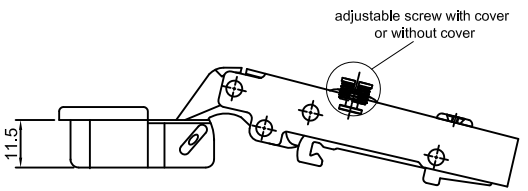
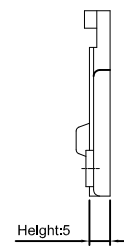
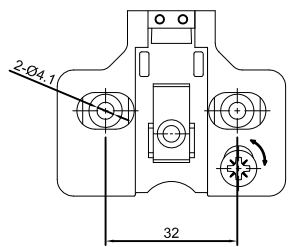
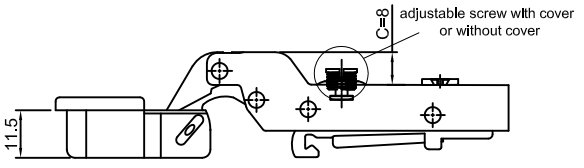


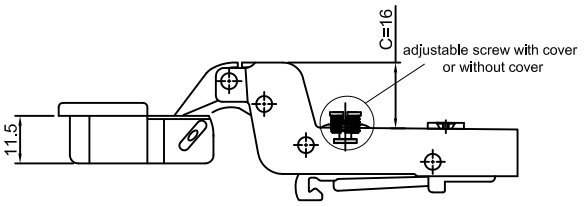
plate:
01649.012

Curva 8



Height:5

Curva 15



01367.02X,05X,08X-01B

DRAWING NO.:

Φ35 one way slow motion hinges with excentric adjustment, W/plate

TITIAL:

DIMENSION CLASSIFICATION	UNIT	mm	PAPER	APPROVED	DATE
	SCALE	1:1		CHECK	DATE
● CRITICAL	A4	DRW.BY	RAVY	DATE	
● MAJOR					

Size	0~3mm	3~10mm	10~30mm	30~100mm	100~300mm	300mm~
Permitted Tolerance	±0.05mm	±0.1mm	±0.25mm	±1.0mm	±3.0mm	±5.0mm

MARK	REV.	DESCRIPTION	BY	DATE
------	------	-------------	----	------