

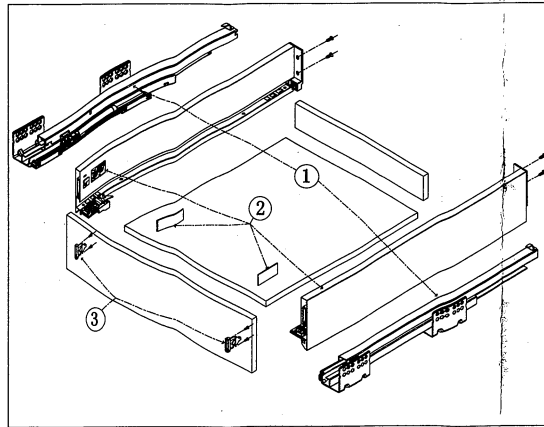
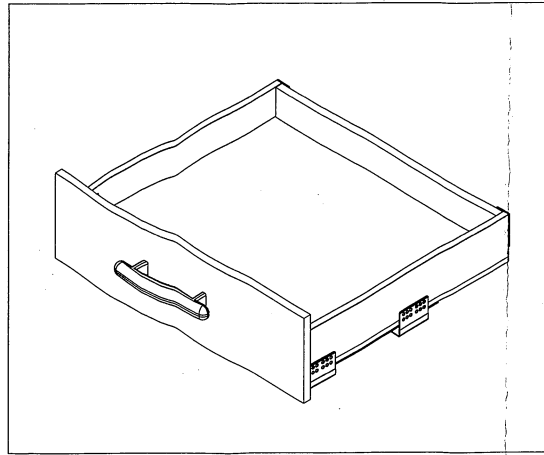
Silent Drawer System

Modul Box Assembly Instruction

Special Features:

- Length: 270, 300, 350, 400, 450, 500, 550mm.
- The drawer side-board is 90mm high.
- Drawer width can be designed freely with automatic error adjustment.
- Hidden full pullout silencing sliding skid can bear 30kg and enjoys excellent stability and quite and smooth sliding performance.
- Quick installation and dismantle.
- Newly-designed built-in damper is free from reinstallation and ensures soft and smooth drawer movements.

Basic length	Internally usable drawer depth	Minimum installation depth of drawer	Minimum installation height
270mm	244mm	270mm	122mm
300mm	274mm	300mm	122mm
350mm	324mm	350mm	122mm
400mm	374mm	400mm	122mm
450mm	424mm	450mm	122mm
500mm	474mm	500mm	122mm
550mm	524mm	550mm	122mm

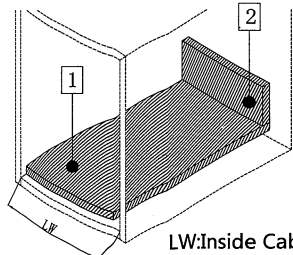


1. Guide Left/Right Length: 270mm, 300mm, 350mm, 400mm, 450mm, 500mm, 550mm

2. Drawer Side & Decorative Cap Left/Right Length: 270mm, 300mm, 350mm, 400mm, 450mm, 500mm, 550mm

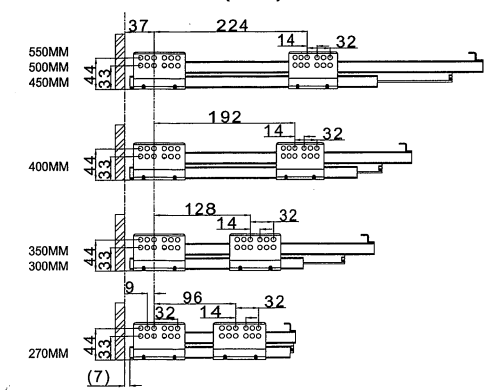
3. Front connector Left / Right

Technology pivot: Bottom and Back Panel Measurement 16MM Density Panel



- LW: Inside Cabinet Width
- Bottom panel width = Inside Cabinet Width - 19 ± 0.5
Bottom panel length = Runner length - 20MM
 - Back panel height = 63MM
Back panel width = Inside Cabinet Width - 42 ± 0.5

Runner Installation (mm)



Basic length: 270/300/350/400/450/500/550

Inside Cabinet Dimension
min 122, 118, 11, min 44, 9.5 ± 0.5

Front Panel Mounting Positions
15.5, 32, min 66, B Side overlay (user-defined)

Front Fixing Brackets Positions
15.5, 32, min 66, 10, A.B Side overlay (user-defined)

Back Panel Mounting Positions
9, 29, 28, 29, 32, 11, 7

Front fixing brackets mounting
Installed panel Remember that tighten the fixing screw

Front panel removing
Take out the plastic cover

- Loosen the fastening screws
- Rotation to dismantle the panel

Front panel height adjustment : ± 2mm
Front panel side adjustment : right 1mm
Front panel side adjustment : left 1mm

Mounting the drawer

Installing the drawer

Removing the drawer
Push the metal spring part from the panel & pull out

Function of the damper

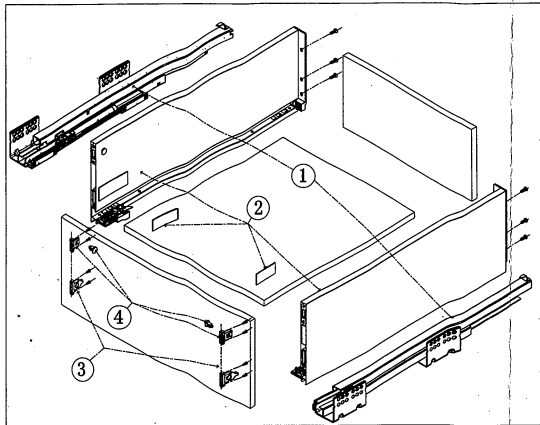
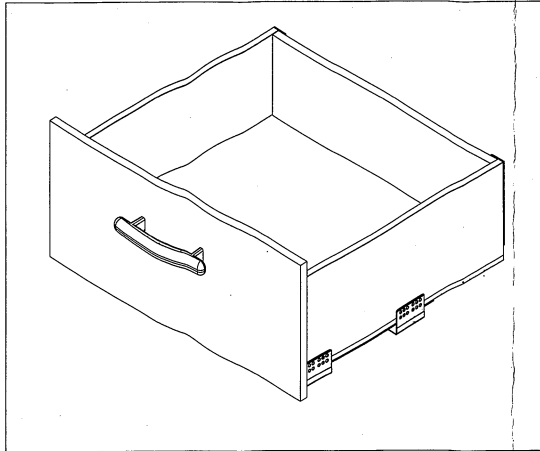
Silent Drawer System

Modul Box Assembly Instruction

Special Features:

- Length: 270, 300, 350, 400, 450, 500, 550mm.
- The drawer side-board is 175mm high.
- Drawer width can be designed freely with automatic error adjustment.
- Hidden full pullout silencing sliding skid can bear 30kg and enjoys
- excellent stability and quite and smooth sliding performance.
- Quick installation and dismantle.
- Newly-designed built-in damper is free from reinstallation and ensures soft and smooth drawer movements.

Basic length	Internally usable drawer depth	Minimum installation depth of drawer	Minimum installation height
270mm	244mm	270mm	207mm
300mm	274mm	300mm	207mm
350mm	324mm	350mm	207mm
400mm	374mm	400mm	207mm
450mm	424mm	450mm	207mm
500mm	474mm	500mm	207mm
550mm	524mm	550mm	207mm



1. Guide Left/Right Length: 270mm, 300mm, 350mm, 400mm, 450mm, 500mm, 550mm

2. Drawer Side & Decorative Cap Left/Right Length: 270mm, 300mm, 350mm, 400mm, 450mm, 500mm, 550mm

3. Front connector Left / Right

4. Front connector -02 Left / Right

Technology pivot:
Bottom and Back Panel Measurement
16MM Density Panel

LW: Inside Cabinet Width

1 Bottom panel width = Inside Cabinet Width - 1.9 ± 0.5
Bottom panel length = Runner length - 20MM

2 Back panel height = 148MM
Back panel width = Inside Cabinet Width - 42 ± 0.5

Runner Installation (mm)

Basic length: 270/300/350/400/450/500/550

Inside Cabinet Dimension

Front Panel Mounting Positions

Front Fixing Brackets Positions

Back Panel Mounting Positions

Front fixing brackets mounting

Front panel removing

Take out the plastic cover

Loosen the fastening screws
Rotation to dismantle the panel

Front panel height adjustment : ±2mm

Front panel side adjustment : right 1mm

Front panel side adjustment : left 1mm

Mounting the drawer

Installing the drawer

Removing the drawer

Push the metal spring part from the panel & pull out

Function of the damper