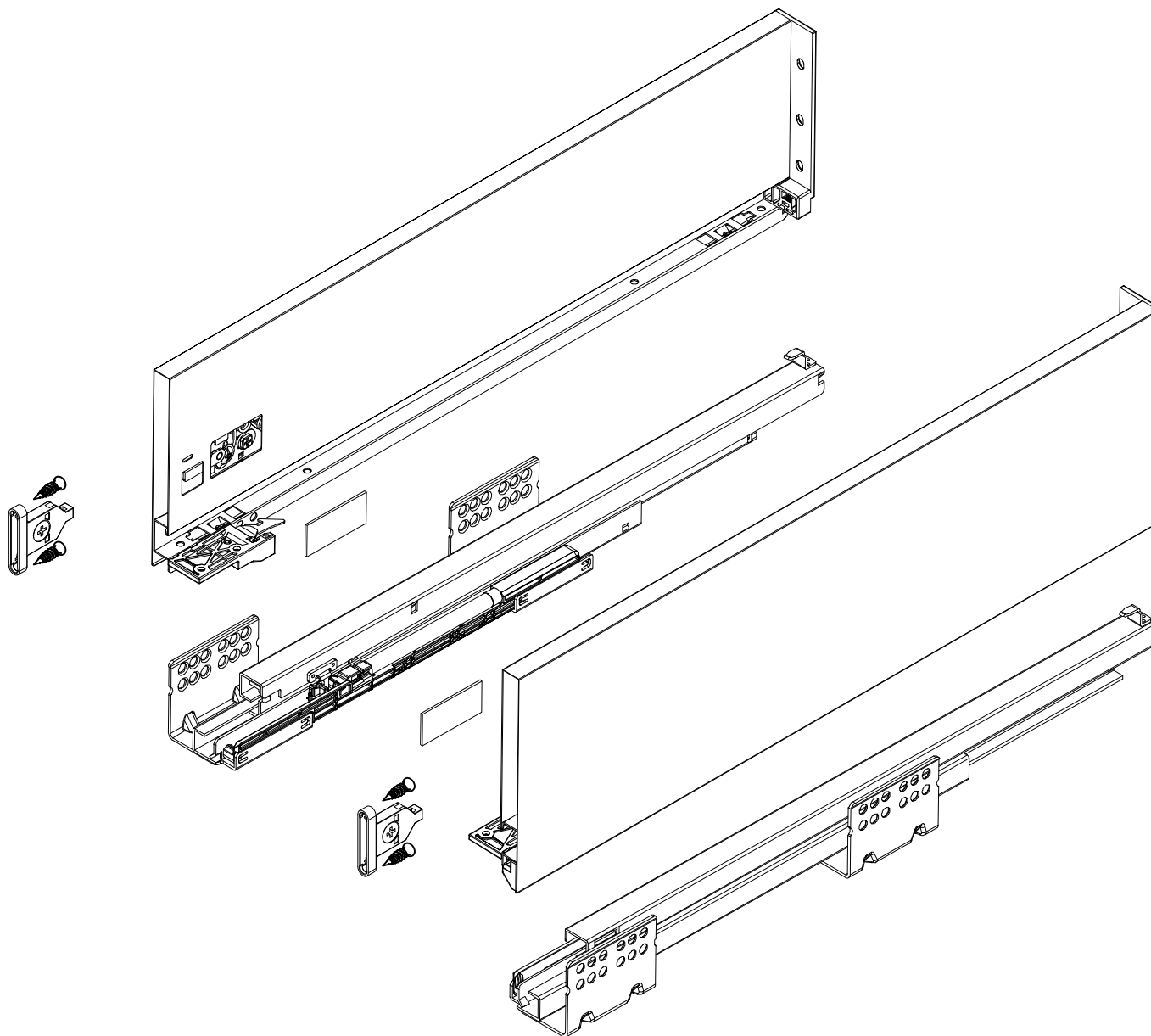
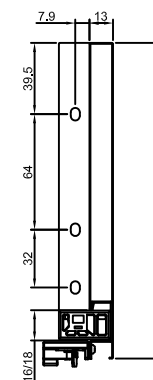
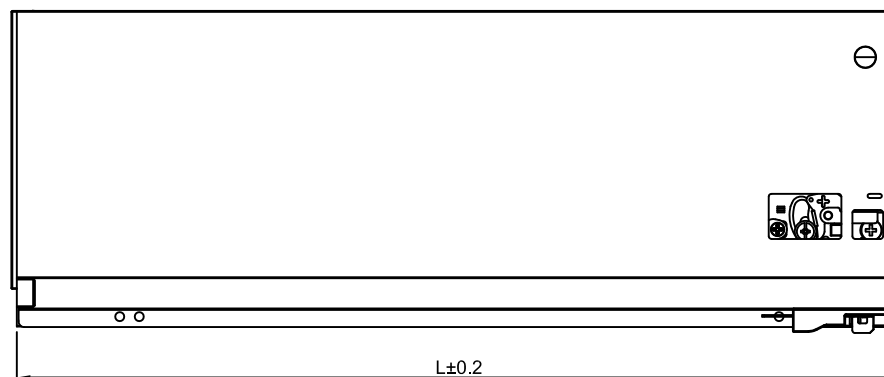
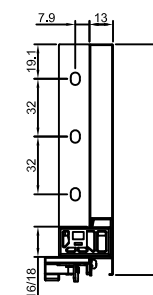
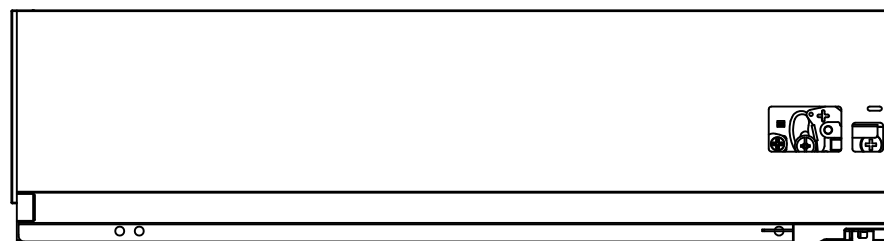
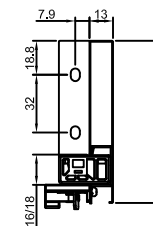
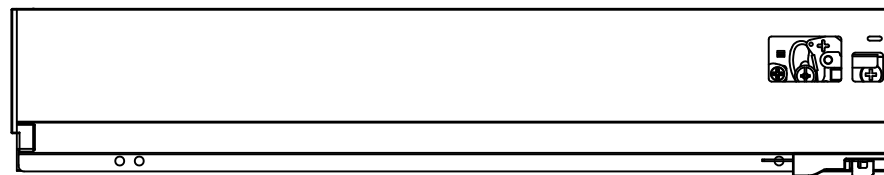
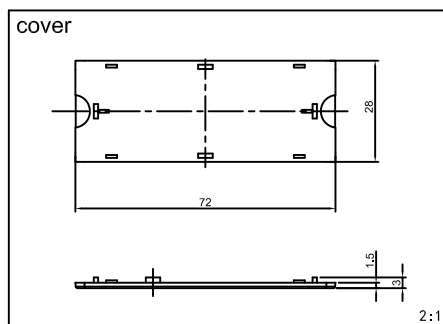


Notes:  
1. Material: Steel



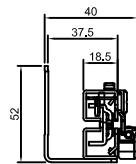
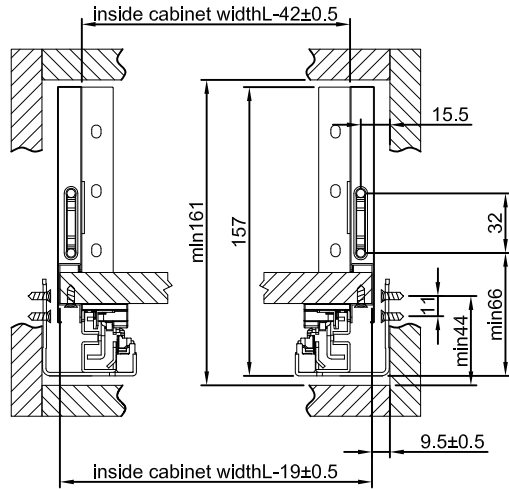
Notes:

. Material: Steel+Plastic



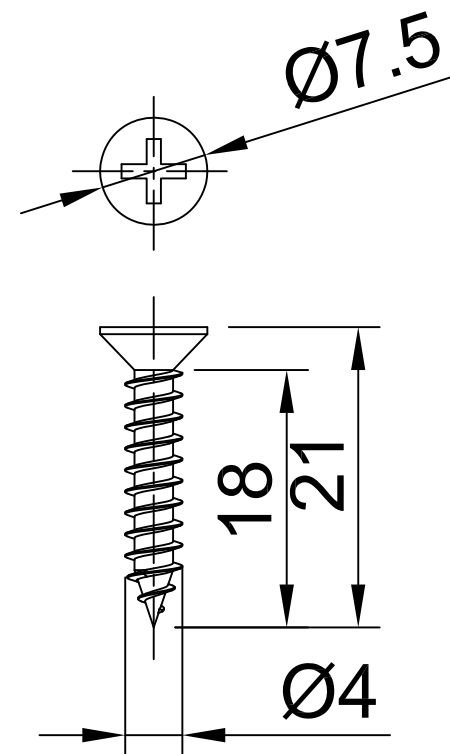
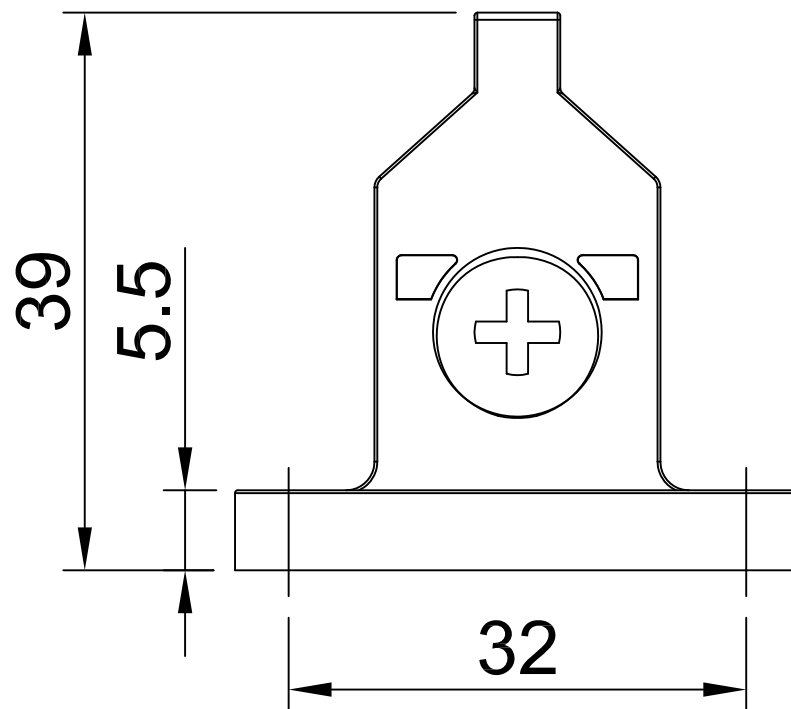
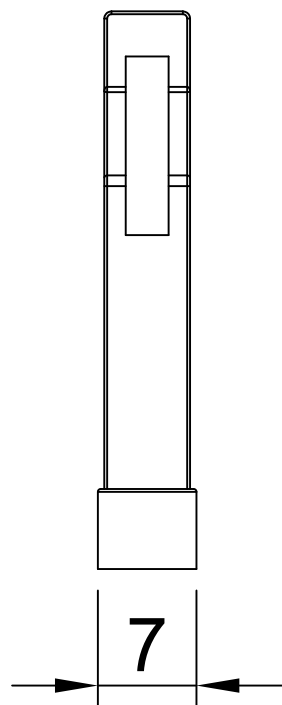
$L \pm 0.2$

Notes:  
1. Material: Steel



Notes:

1. Material: Zamak+Plastic



4-pcs