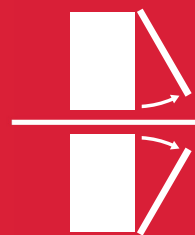


 **ITALIANA**[®]
f e r r a m e n t a

Kiara Opening System

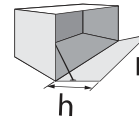


OPENING
SYSTEMS
FOR FLAP
AND DROP
DOWN
DOORS

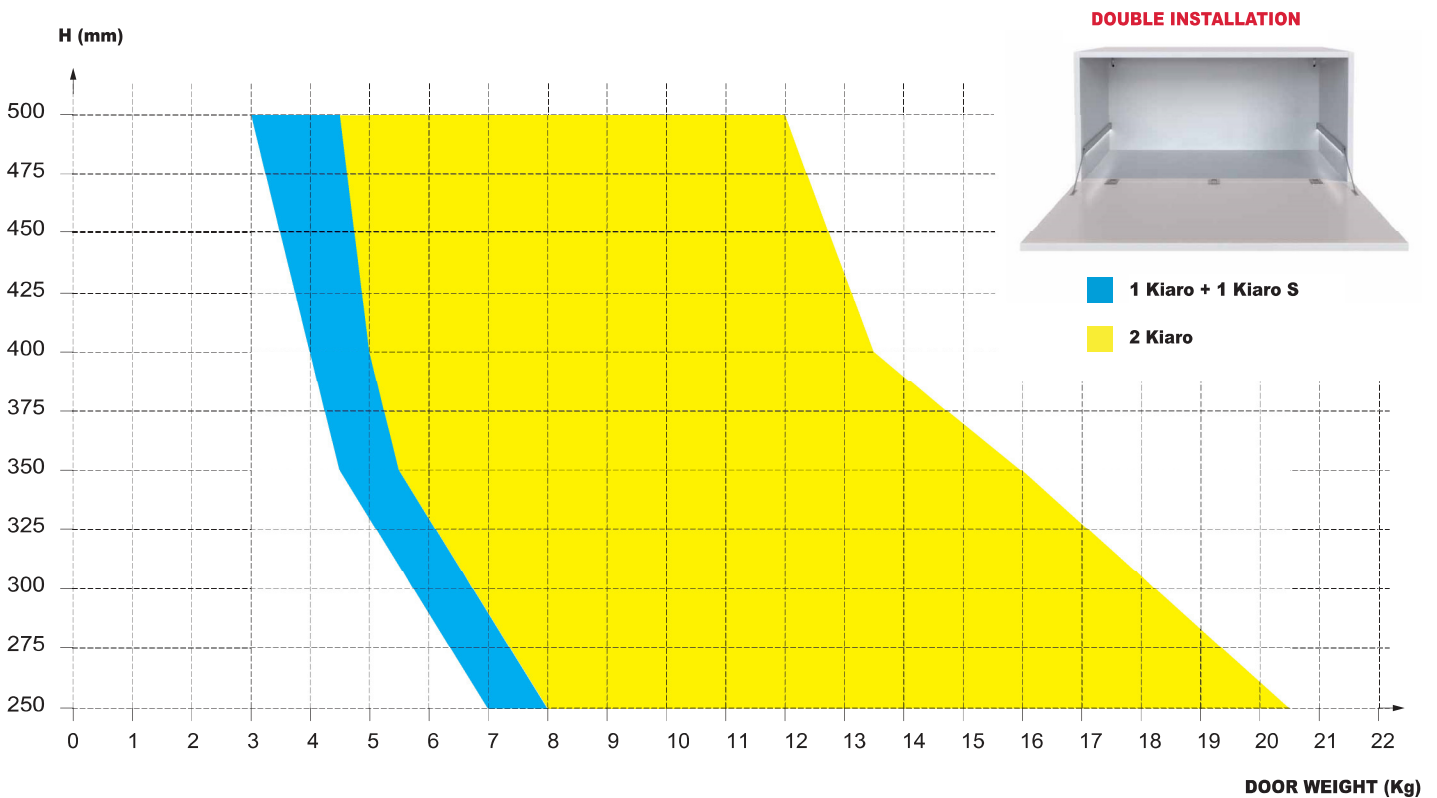
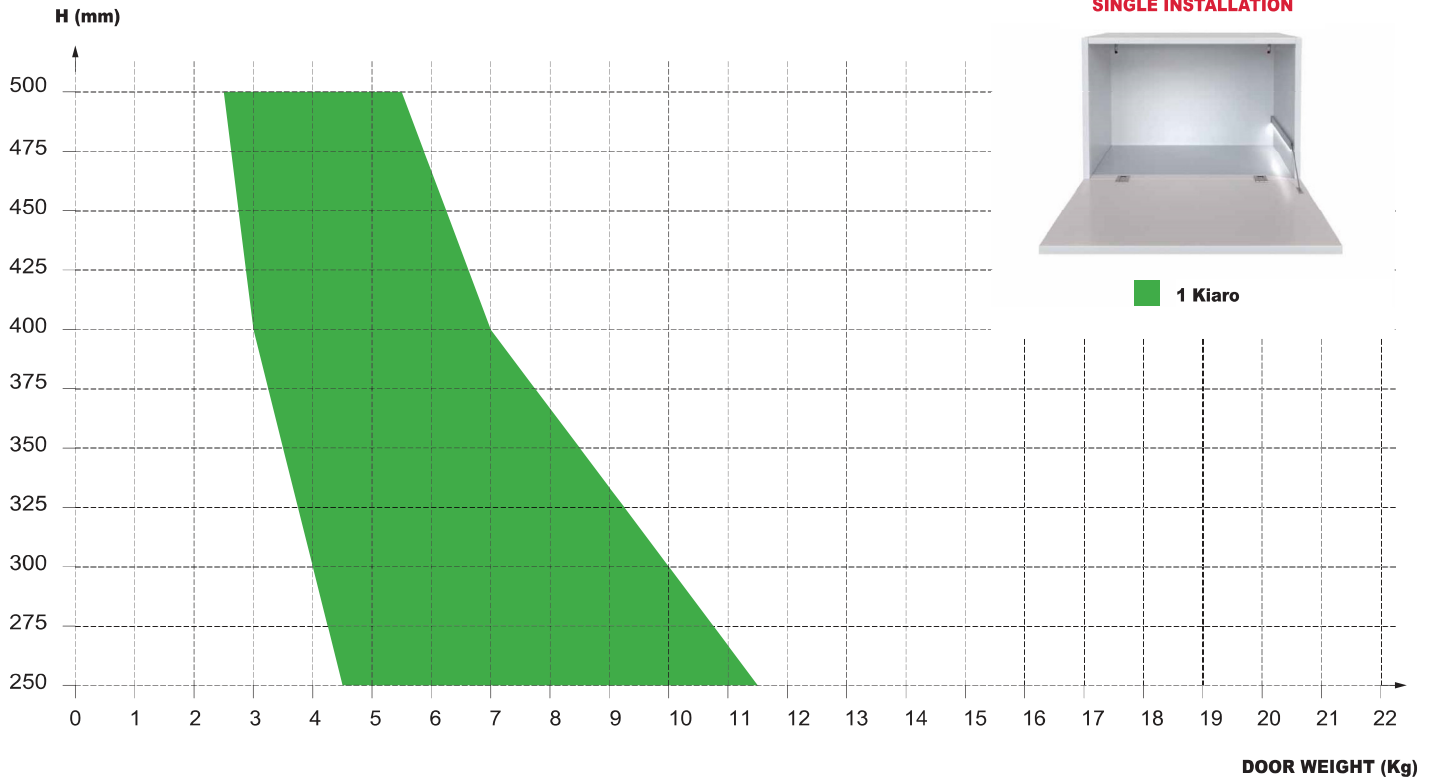
 **INTERFER**



SOFT OPENING



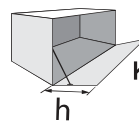
Kg = Door weight including the possible handle.



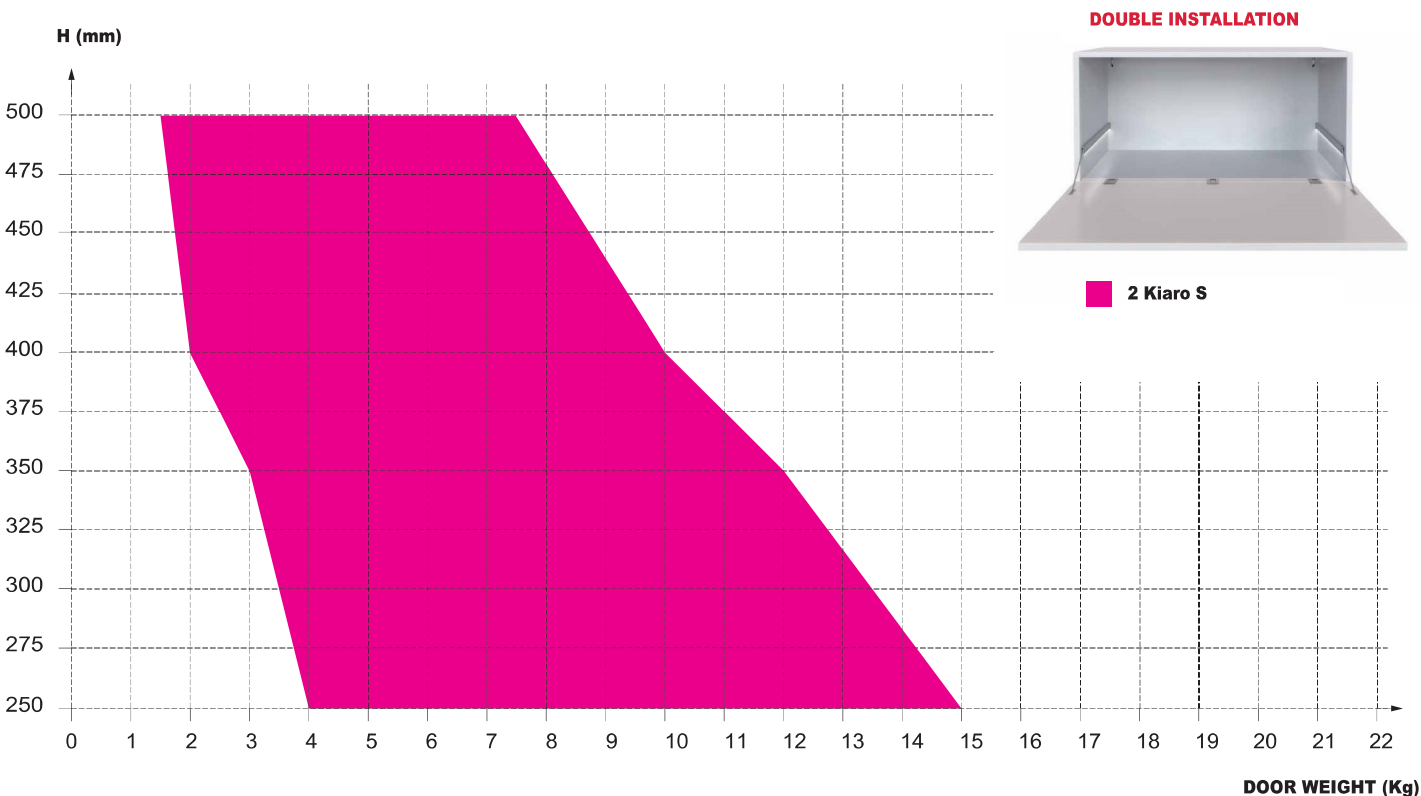
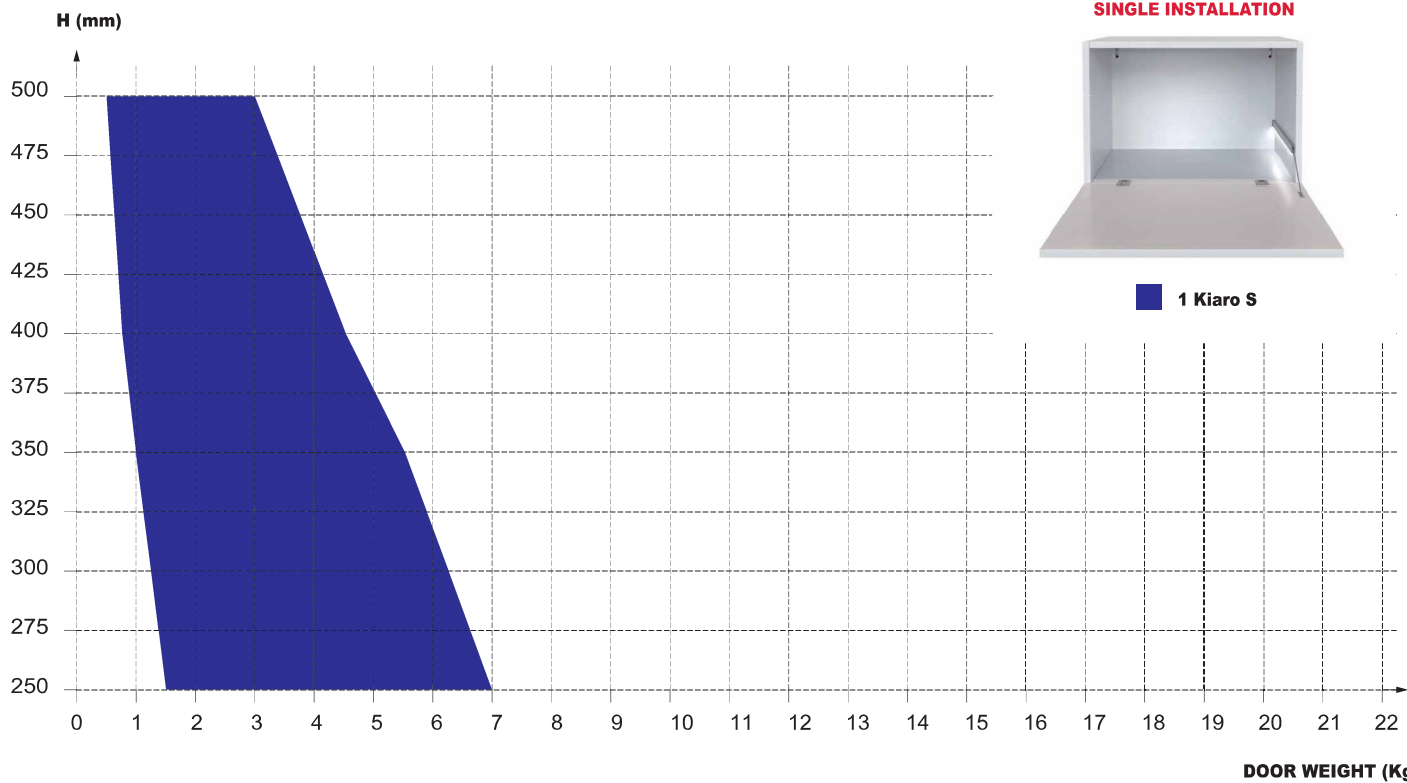
In case the door weight/dimensions are bigger or smaller than those reported on the charts, our technical department is at your disposal to test further cases.



FRICITION OPENING

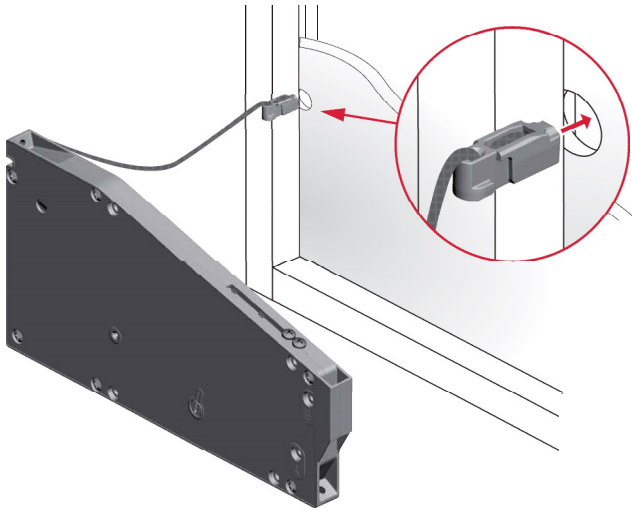


Kg = Door weight including the possible handle.

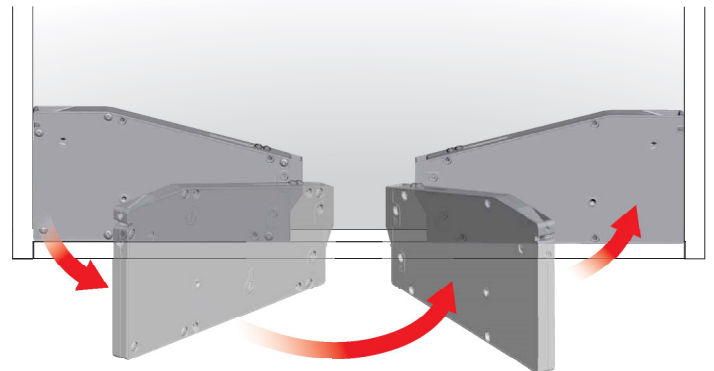




MECHANISM INSTALLATION

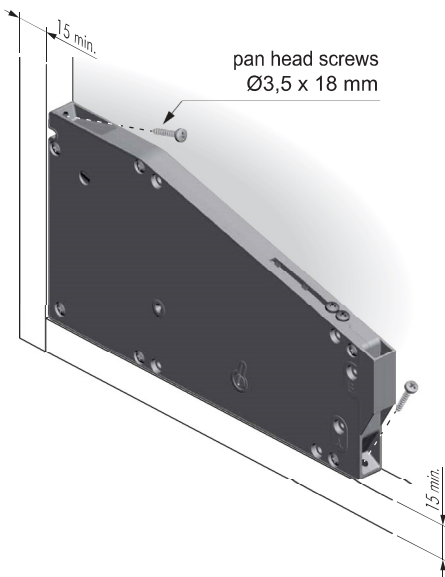


UNHANDED MECHANISM

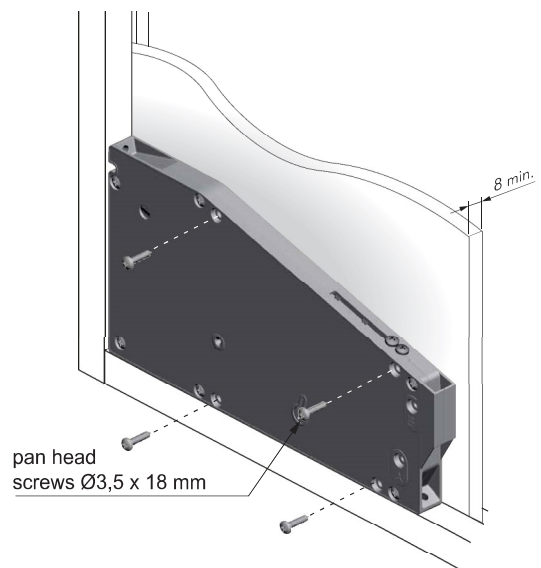


MECHANISM FIXING

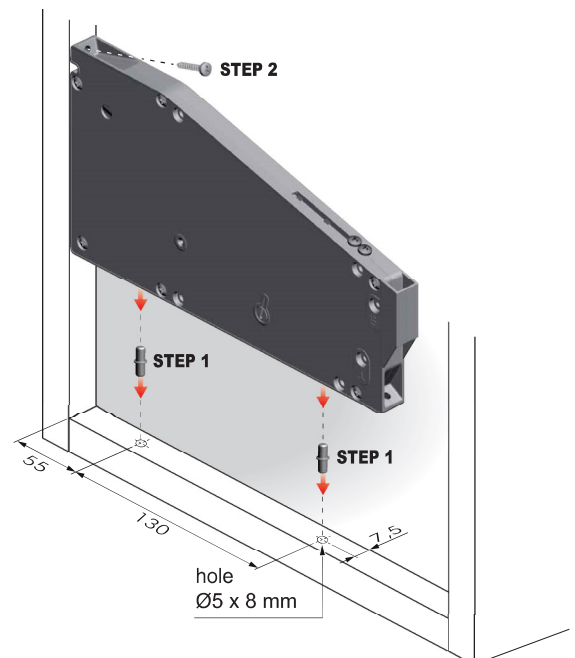
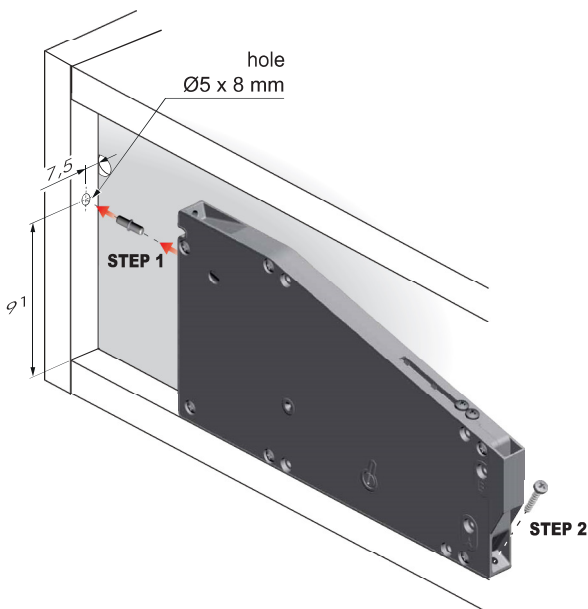
On the bottom and on the side panel with screws



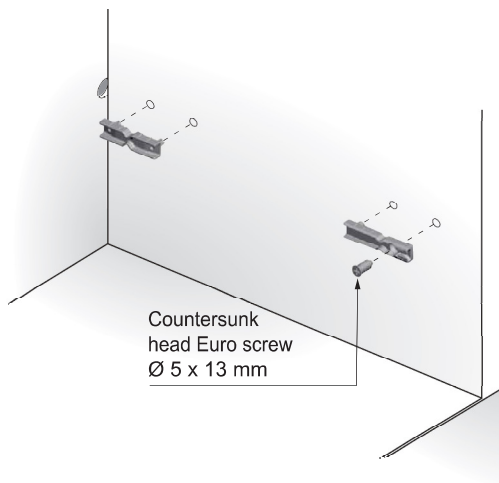
On the back panel with screws



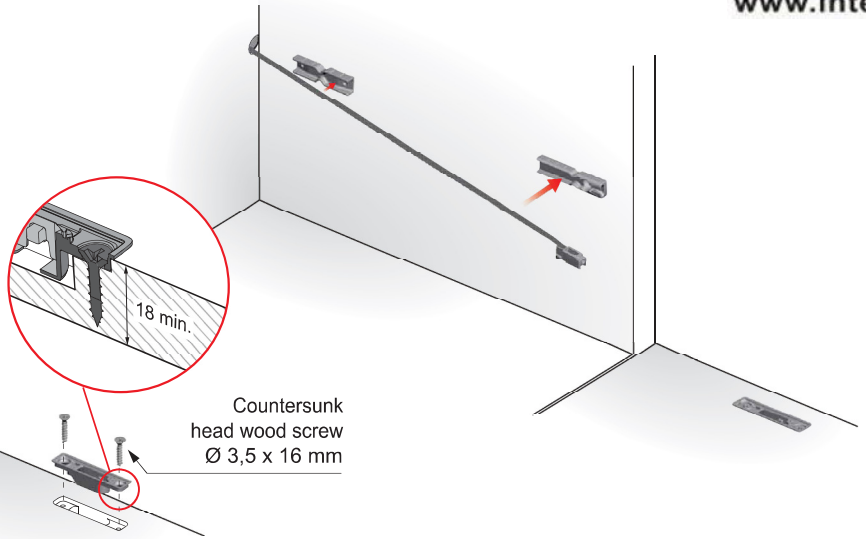
On the bottom and on the side panel with pin and screws



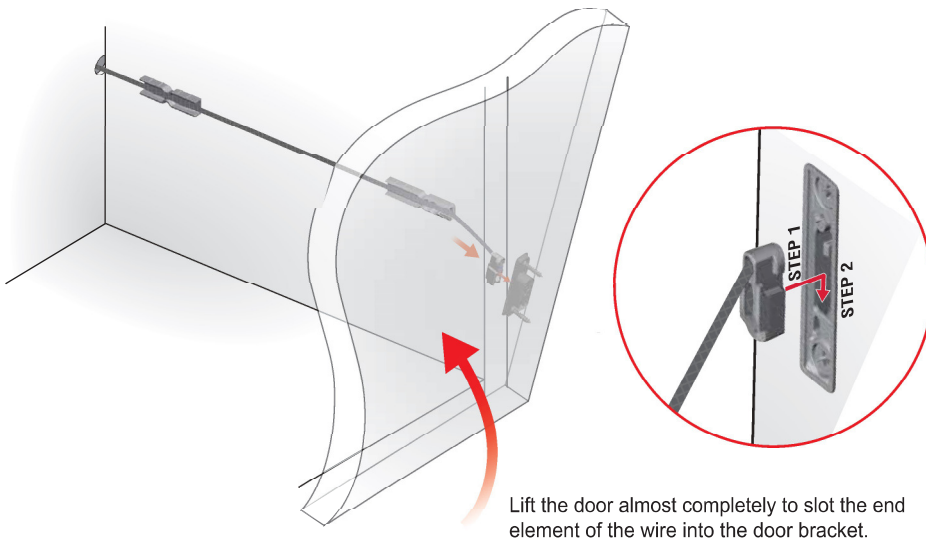
BRACKETS INSTALLATION



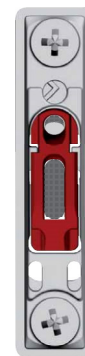
WIRE INSTALLATION



WIRE INSERTION ONTO THE DOOR BRACKET



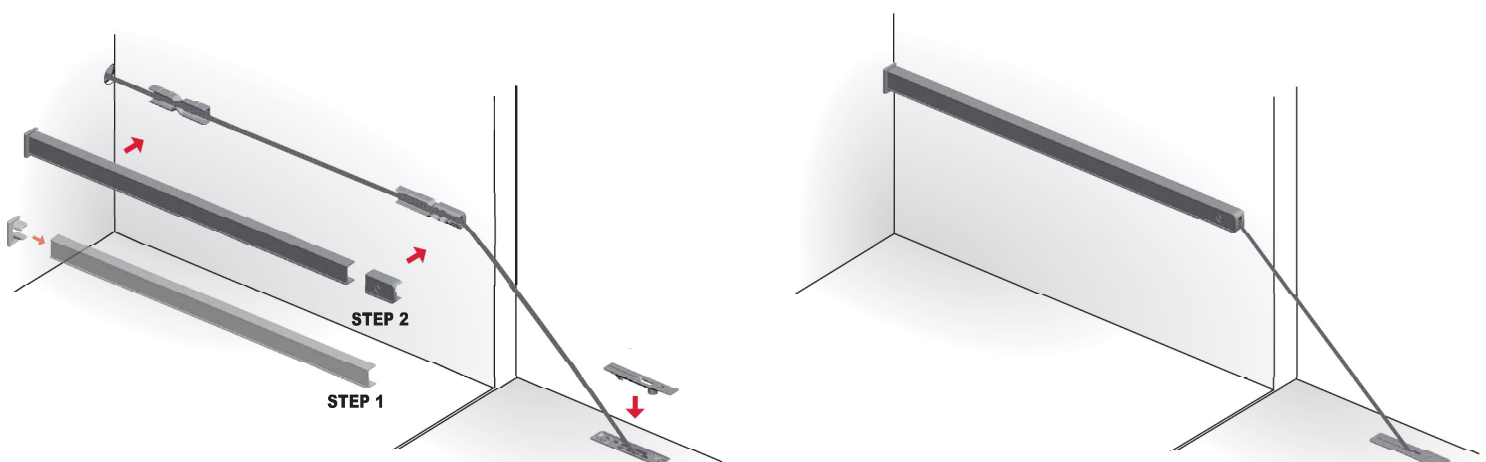
STEP 1



STEP 2



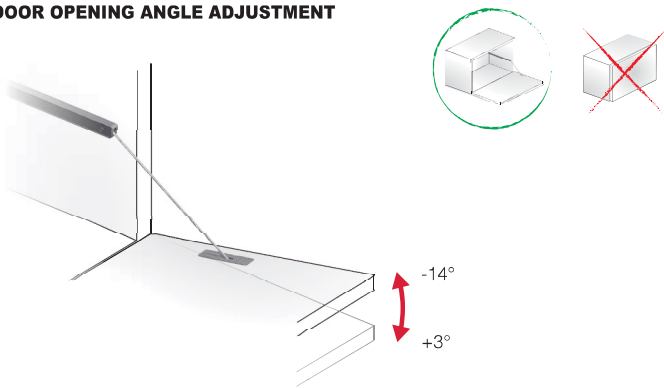
COVER CAP AND ALUMINIUM LATERAL PROFILE INSERTION



Place the cover cap on the door bracket before lifting the door.



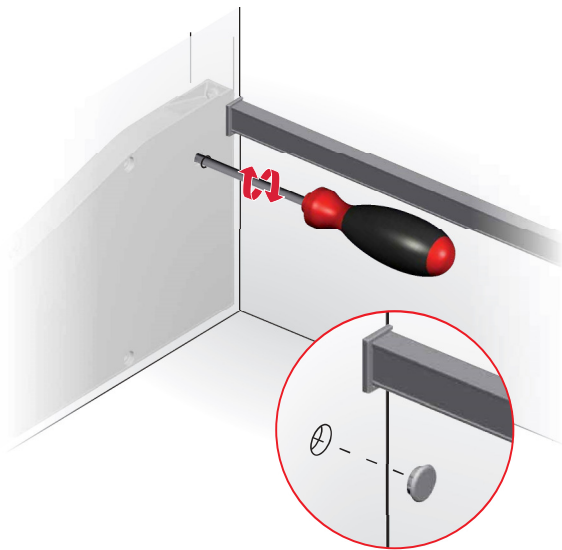
DOOR OPENING ANGLE ADJUSTMENT



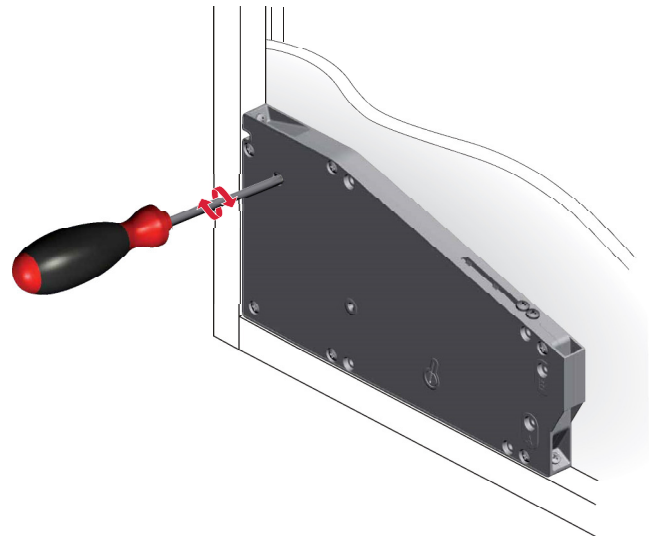
VERY IMPORTANT:

The opening angle adjustment can be carried out only with open door.

FROM THE INSIDE OF THE CABINET



FROM THE BACKSIDE OF THE CABINET



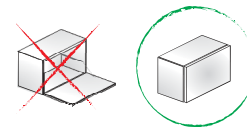
ADJUSTMENT OF STRENGTH SETTINGS

Possibility to adjust the settings of the mechanism also upon completed assembly.
For details refer to the related section.

VERY IMPORTANT:

Before proceeding, make sure:

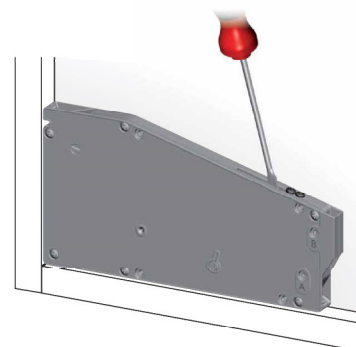
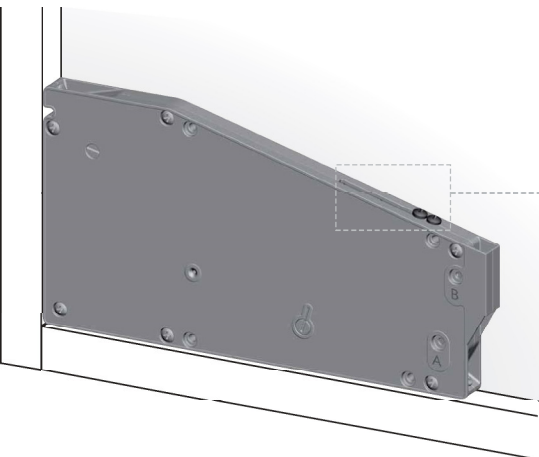
1) The door is completely closed.



2) The mechanism is completely in position.

OK

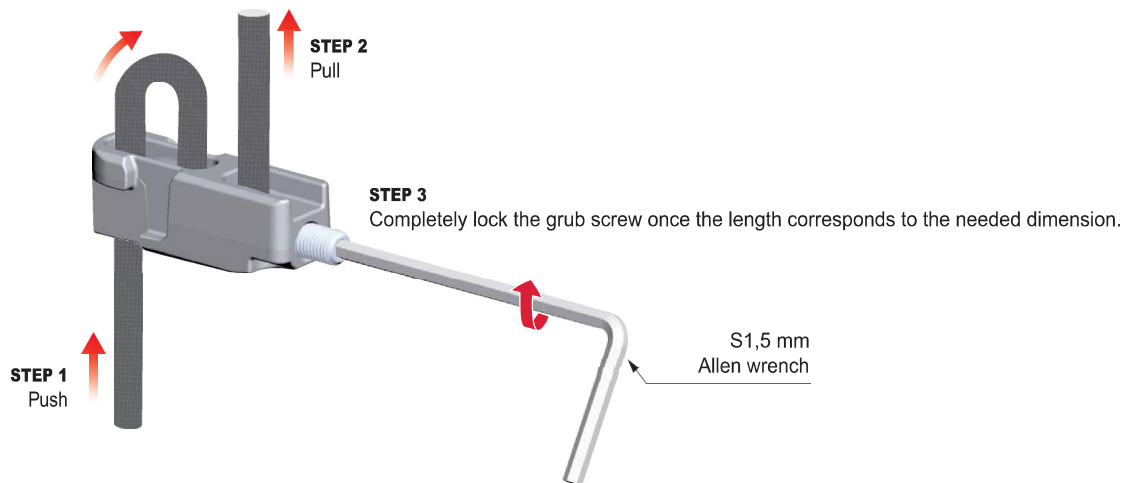
NO



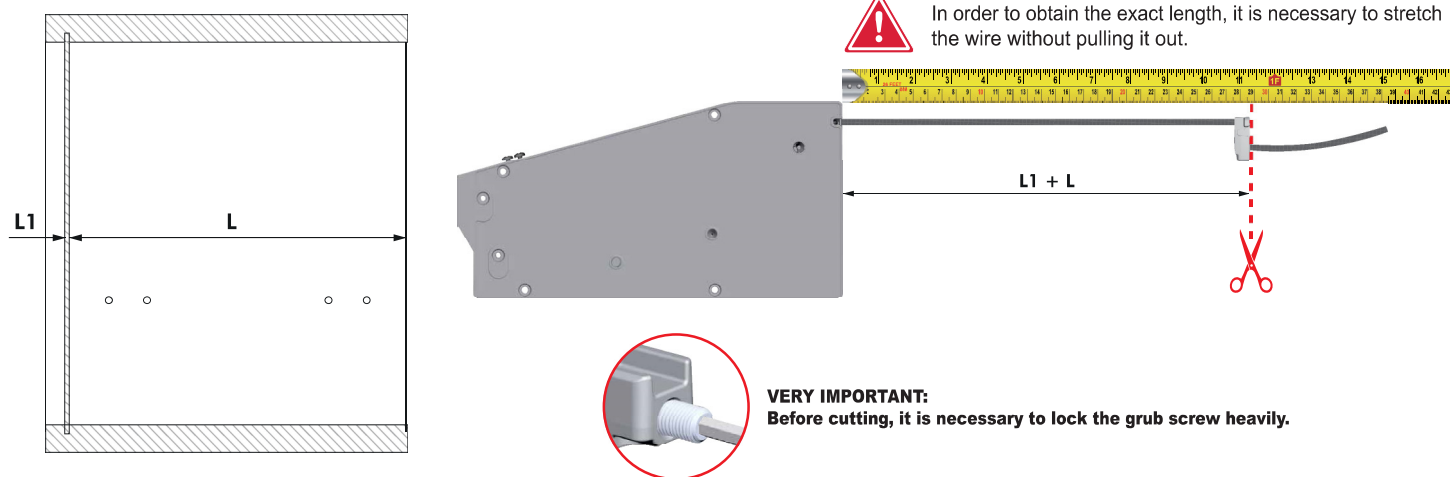
In this case put the small flap in position with a screwdriver.

INSTRUCTIONS FOR WIRE CUTTING

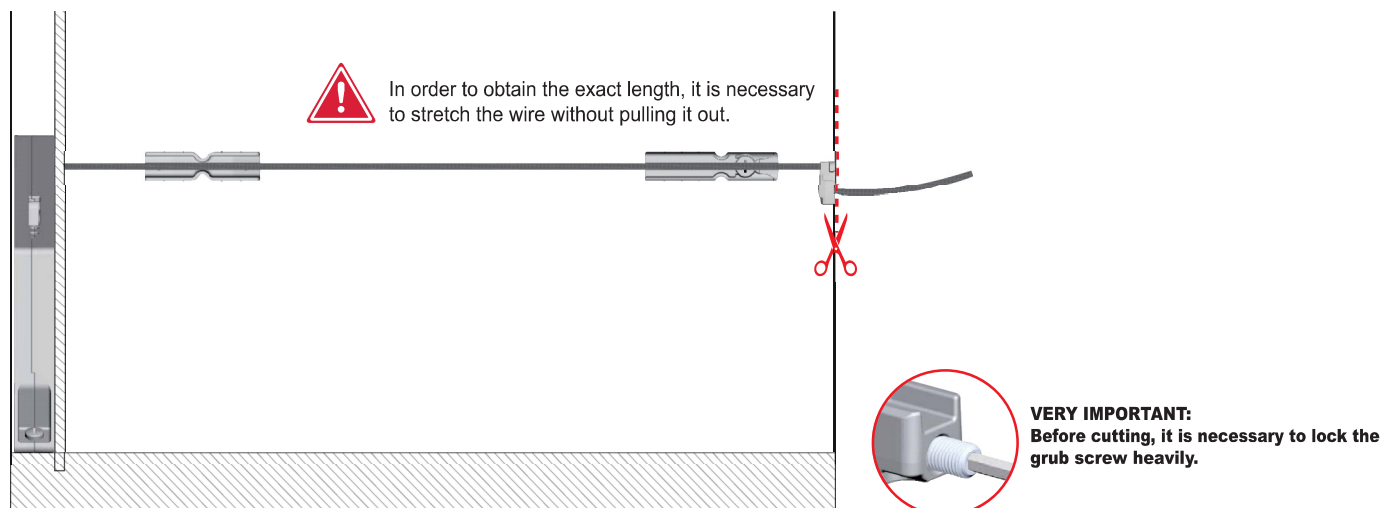
INSERTION OF THE WIRE INTO THE END PART AND LOCKING WITH M3 GRUBSCREW



WIRE CUTTING WITH UNMOUNTED MECHANISM

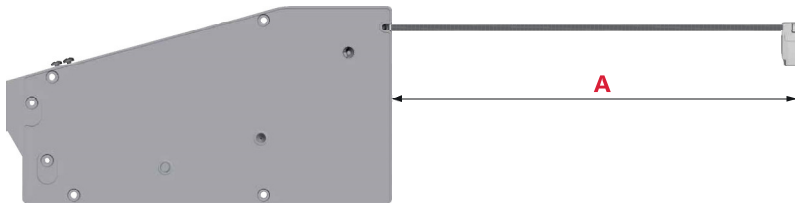
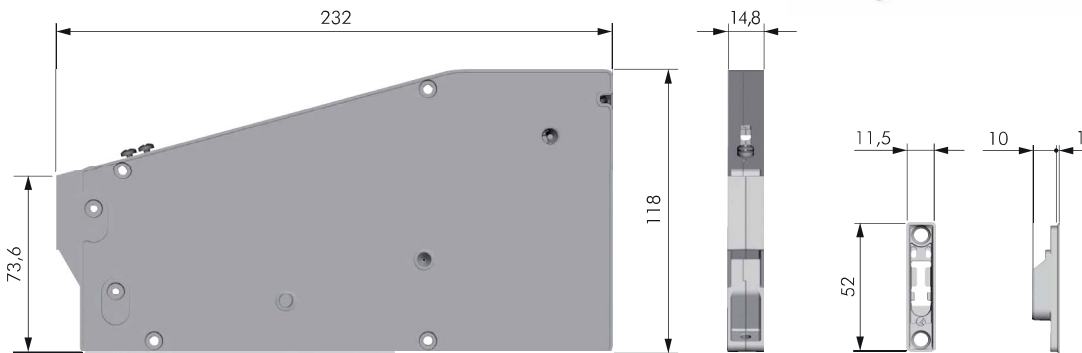
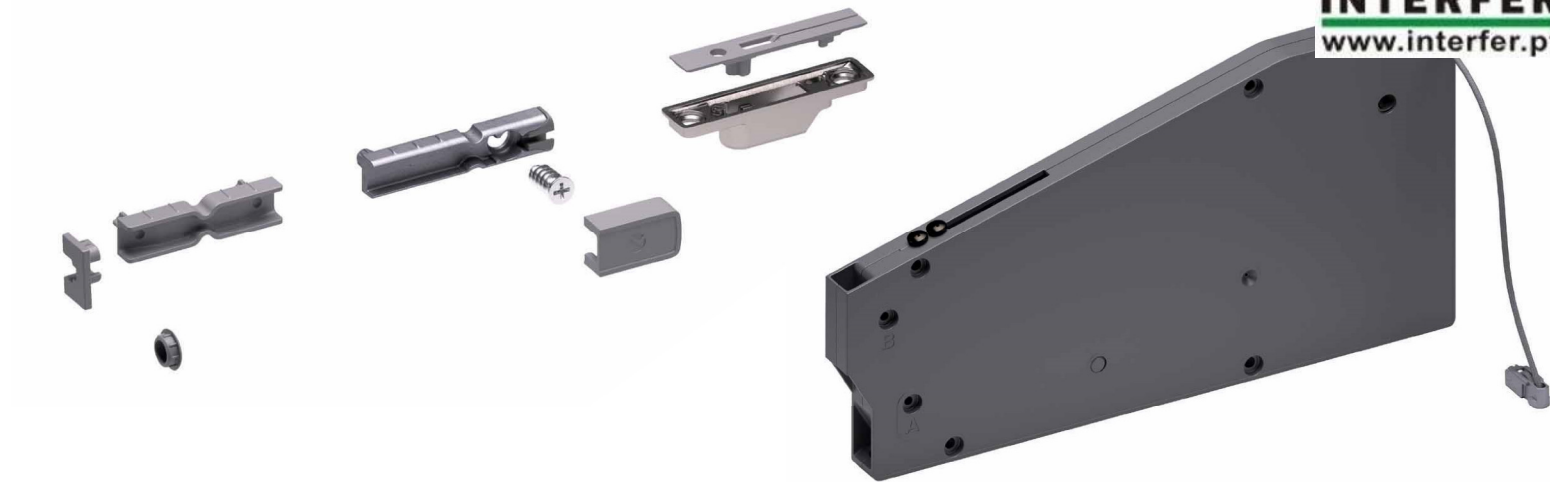


WIRE CUTTING WITH MOUNTED MECHANISM



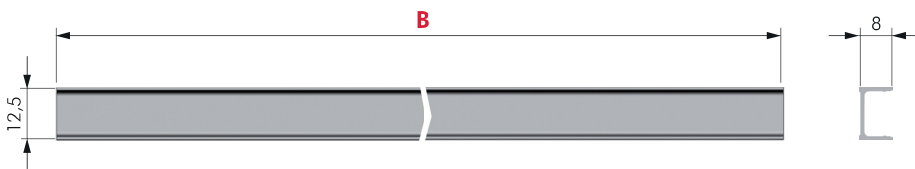


INTERFER
www.interfer.pt

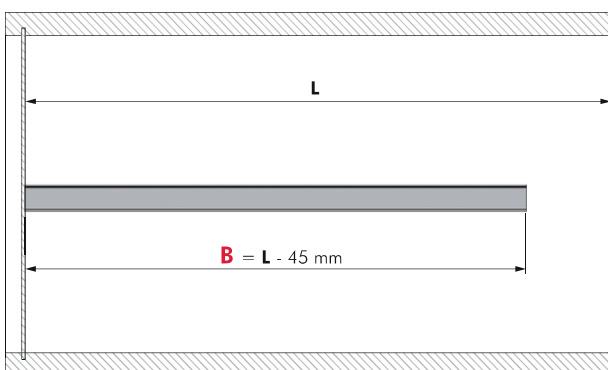


ZA	EP	ST	= 12 pcs.
			A (mm)
KIARO	46006000YA	YQ	600
KIARO S	46106000YA	YQ	

NOTE: Possibility to supply the wire with customized length (A).



CUT TO SIZE RULE:



AL	= 12 pcs.		
			B (mm)
46205500UT	FV		550

NOTE: Possibility to supply the aluminium profile with customized length (B).

Finishes matching between cover caps and alu. profiles:

YA → **UT**
YQ → **FV**



ACCESSORIES FOR MECHANISM FIXING



= Ø 3 mm

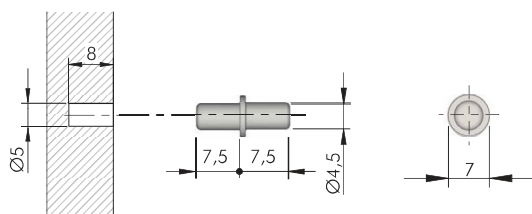
= PZ2

ST

= 10.000 pcs.



60103150Z^N



= Ø 5 mm

ST

= 5.000 pcs.



10101010Z^N



ACCESSORY FOR DOOR BRACKET FIXING



= Ø 3 mm



= PZ2

ST

= 10.000 pcs.



60101390Z^N



ACCESSORY FOR LOCKING THE GRUB SCREW



= S 1,5 mm

ST

= 1.000 pcs.



62501050Z^N

