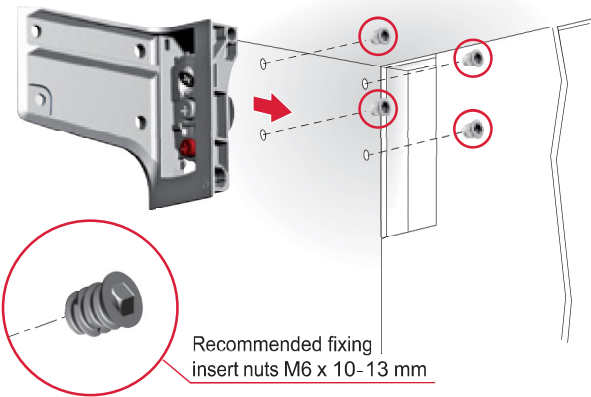




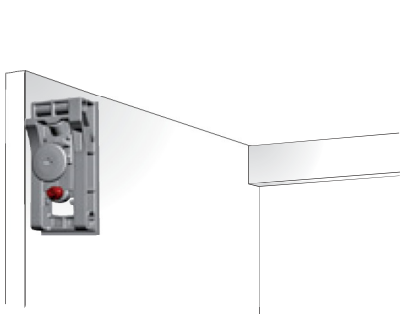
LIBRA H7 SCREW FIXING



INSTALLATION UNDER THE CABINET TOP

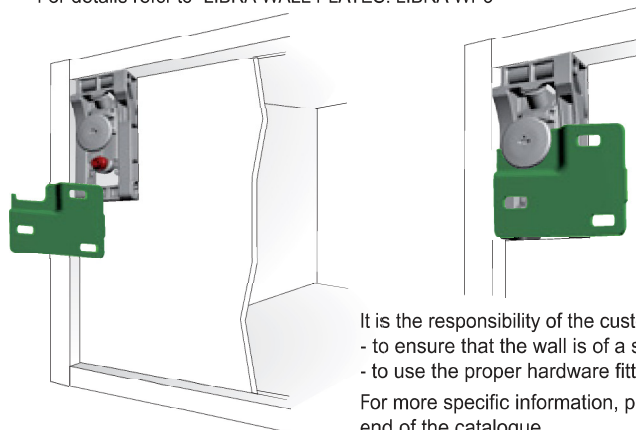


ALTERNATIVE APPLICATION WITHOUT TOP



INSTALLATION ON THE WALL

- For details refer to "LIBRA WALL PLATES: LIBRA WP5"



It is the responsibility of the customer:
 - to ensure that the wall is of a suitable quality to hold the unit fixing in place.
 - to use the proper hardware fittings according to the construction of the
 For more specific information, please refer to the WARNINGS section at the end of the catalogue.

ADJUSTMENTS

1
VERTICAL ADJUSTMENT
13 mm

2
IN-DEPTH ADJUSTMENT
12 mm

3
ANTI-TURNOVER LOCKING
Stop screwing the red bolt when it touches the wall plate

