

KIMANA





KIMANA is the new hinge conceived by Italiana Ferramenta to open and close drop-down doors. Provided with a unique and exclusive movement, it allows to open doors even when the bottom lies upon another panel.

The small dimensions (\varnothing 26mm boring for both the door and the bottom) and minimalistic and elegant design contribute to make **KIMANA** not only a functional hinge, but also a product unique in its genre.

KIMANA can be easily adjusted through the screws (PZ2) which are hidden underneath the cover.

The fixing screws are perpendicular, thus making **KIMANA** suitable for aluminium profiles.

Various door and bottom thickness-combinations can be solutioned as **KIMANA** allows the ideal movement and alignment of the door.

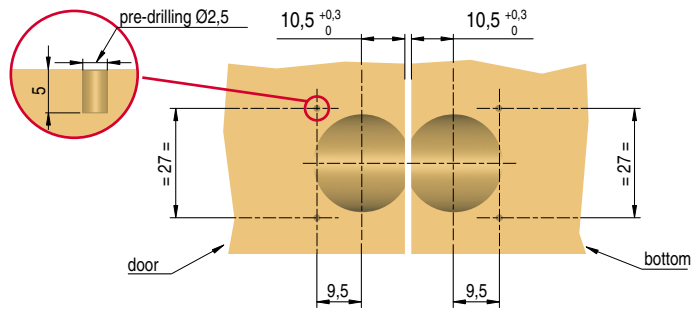
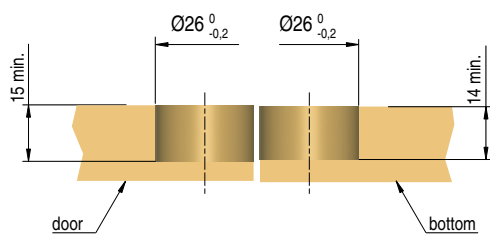
PAT. PENDING

REGISTERED DESIGN

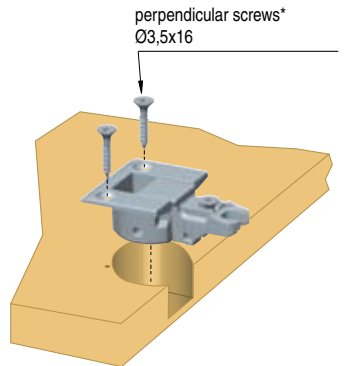
Part. no	Description	Finish
40115000YA	Plate for Kimana	Nickel-plated
40115010YA	Kimana hinge	Nickel-plated
40115040YA	Cover cap	Nickel-plated



DRILLING PLAN

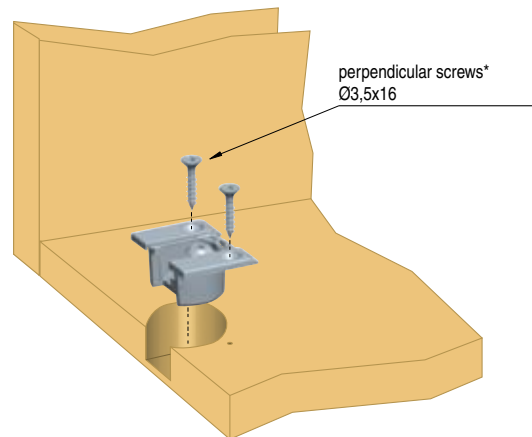


INSTALLATION ON DOOR (MINIMUM THICKNESS 18 MM)

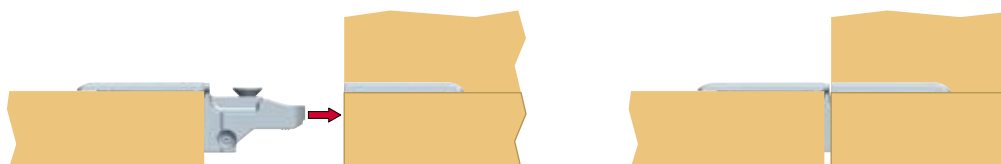


*suitable for aluminium profiles.

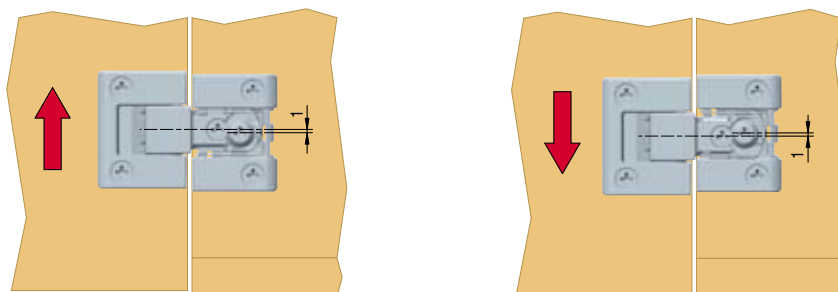
INSTALLATION ON THE BOTTOM (MINIMUM THICKNESS 18 MM)



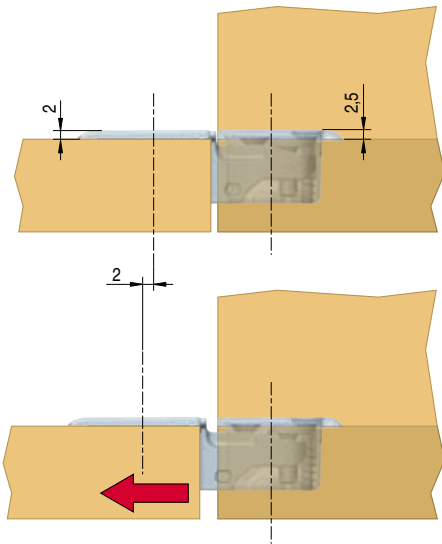
DOOR INSTALLATION



LATERAL ADJUSTMENT 0 ± 1 mm

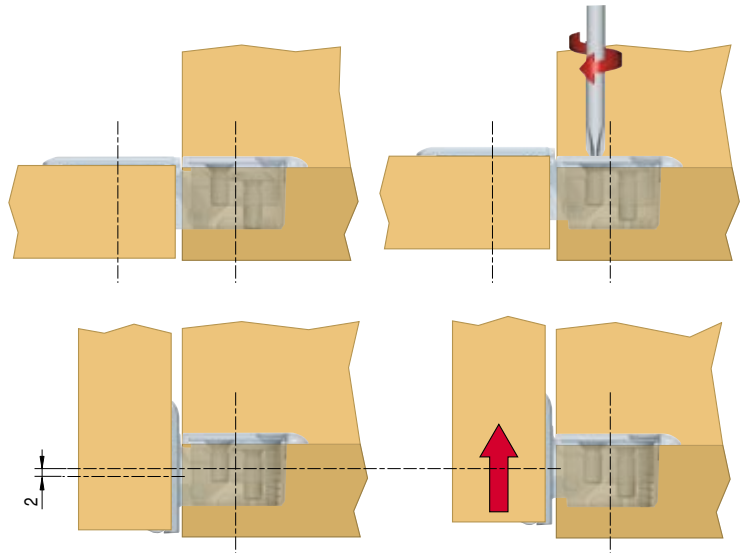


IN-DEPTH ADJUSTMENT 0+2mm

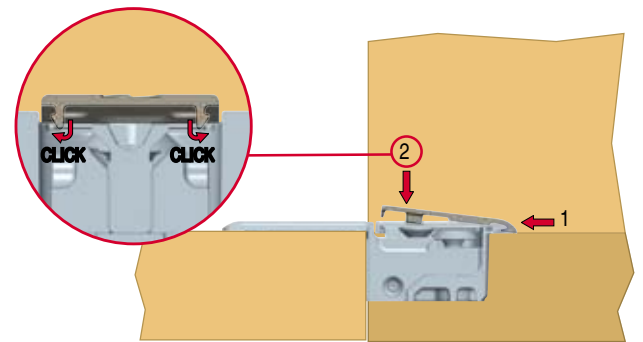
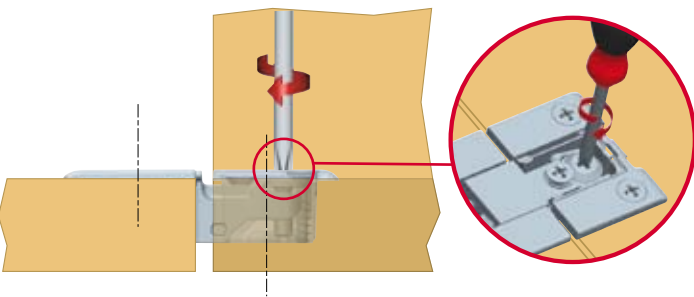


LOCKING

VERTICAL ADJUSTMENT 0+2mm



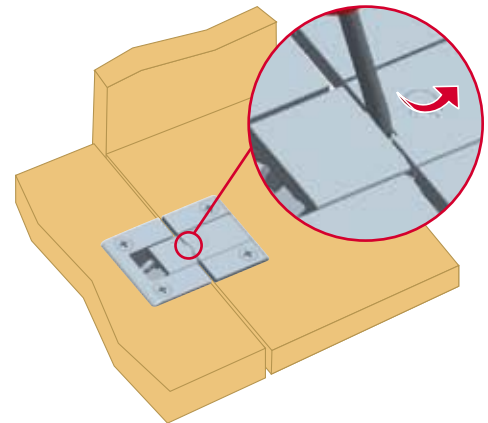
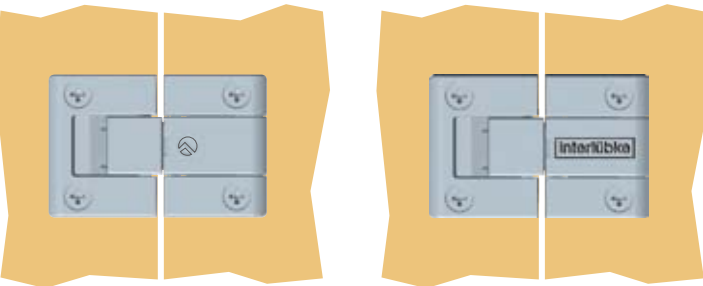
COVER CAP INSERTING



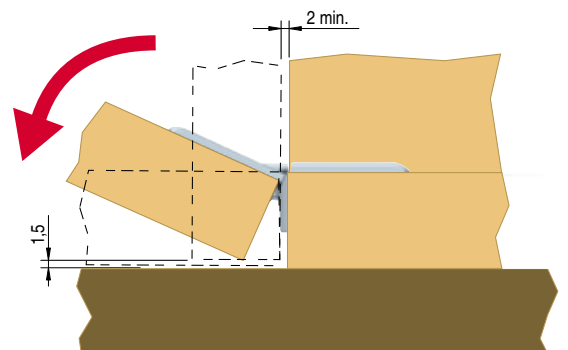
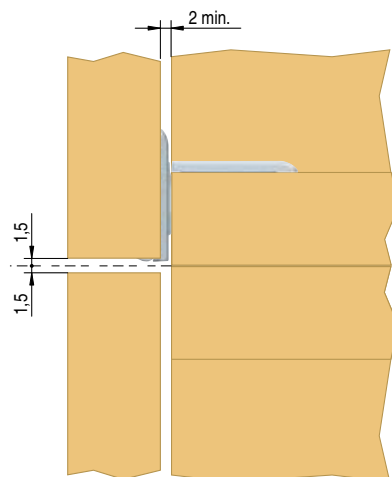
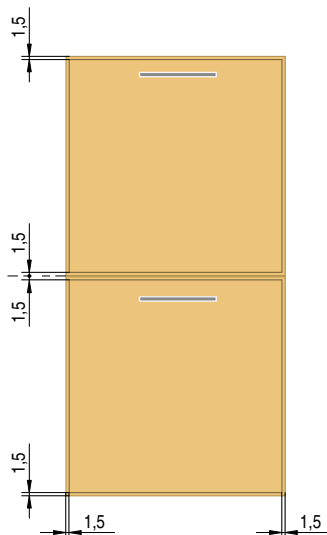
CUSTOMIZED KIMANA COVER CAP

It is possible, upon request, to customize Kimana cover cap with **your company logo** (min. qty 5000 pcs).

COVER CAP UNINSERTING

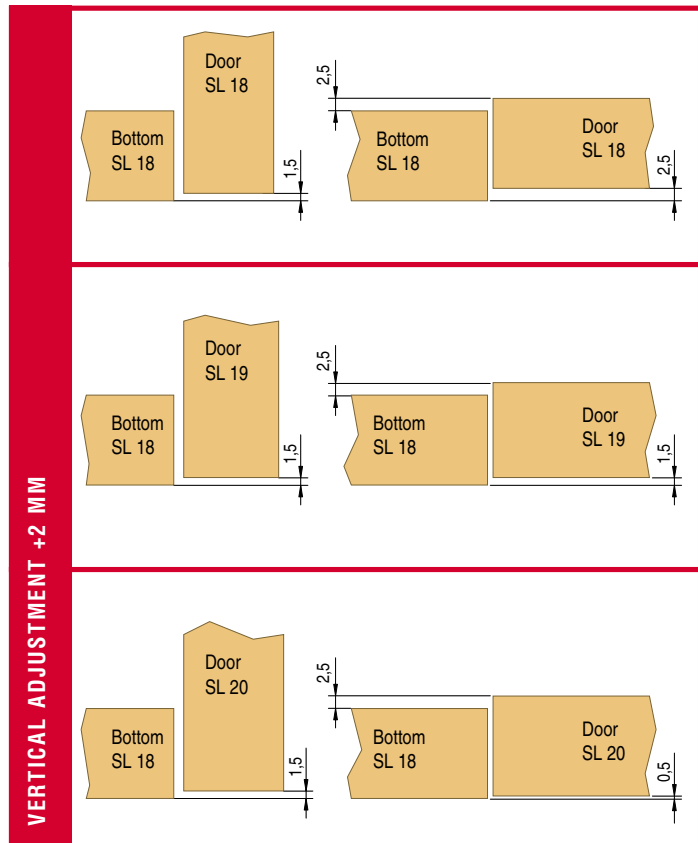


CABINETS IN COLUMN AND PLATFORM

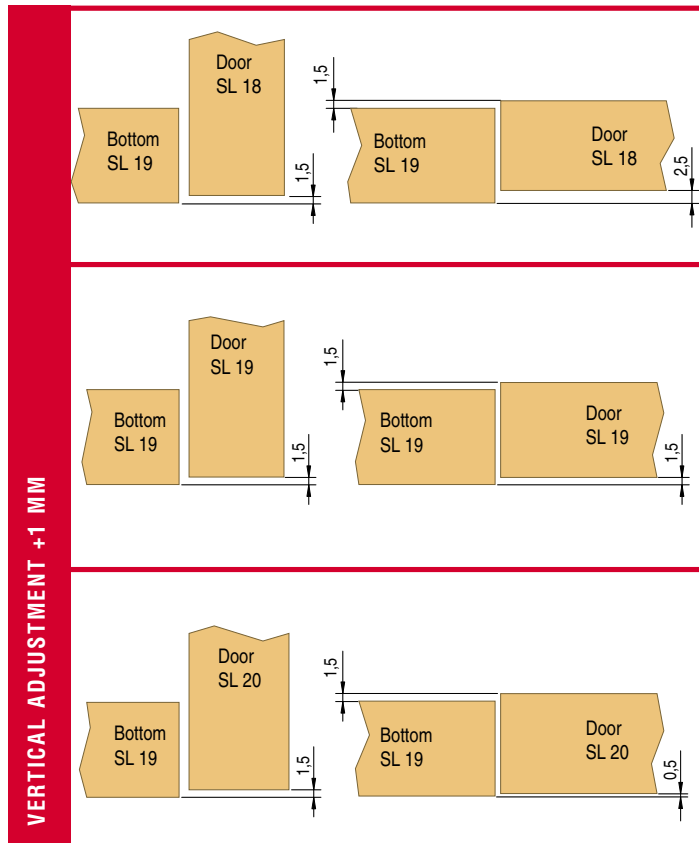


The applications showed with grey background do not require adjustments for levelling the door.

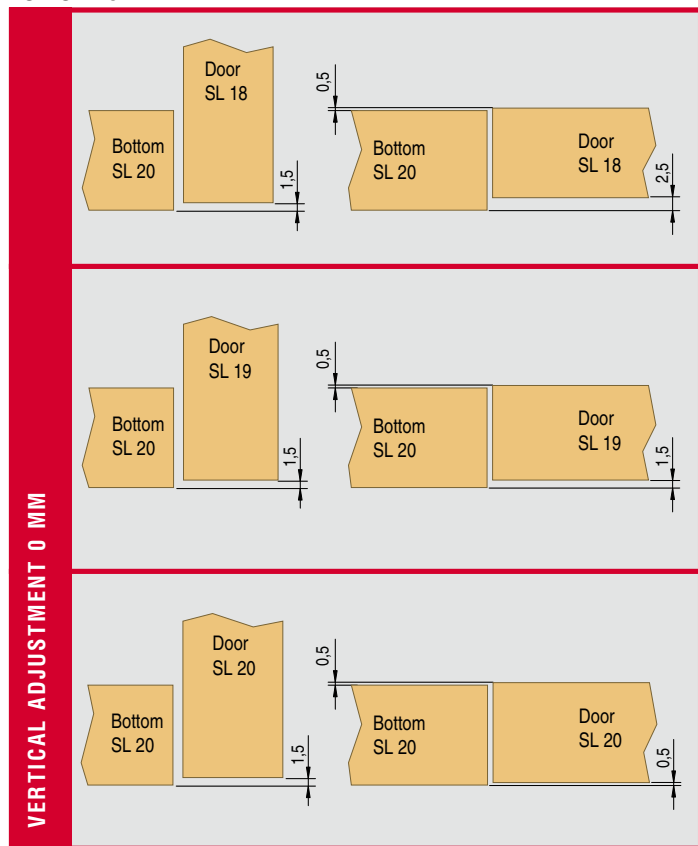
BOTTOM 18



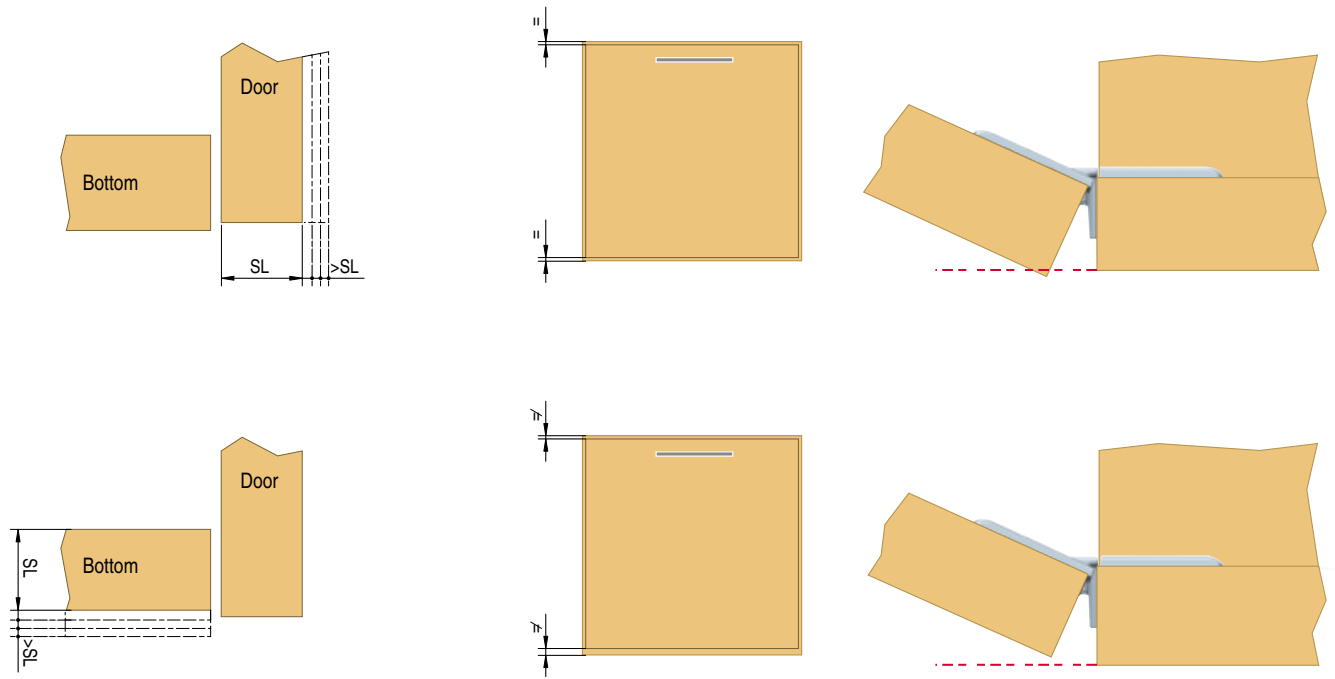
BOTTOM 19



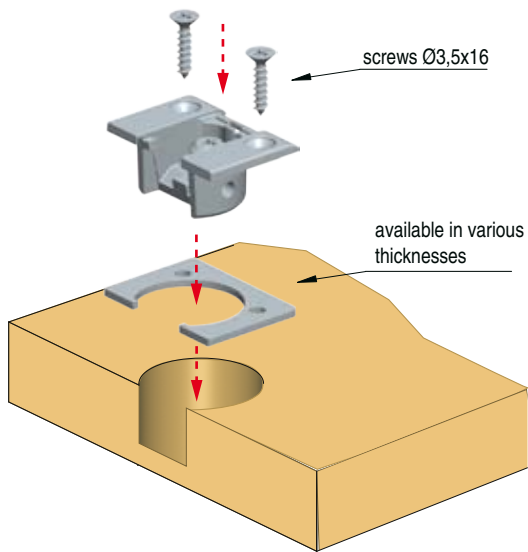
BOTTOM 20



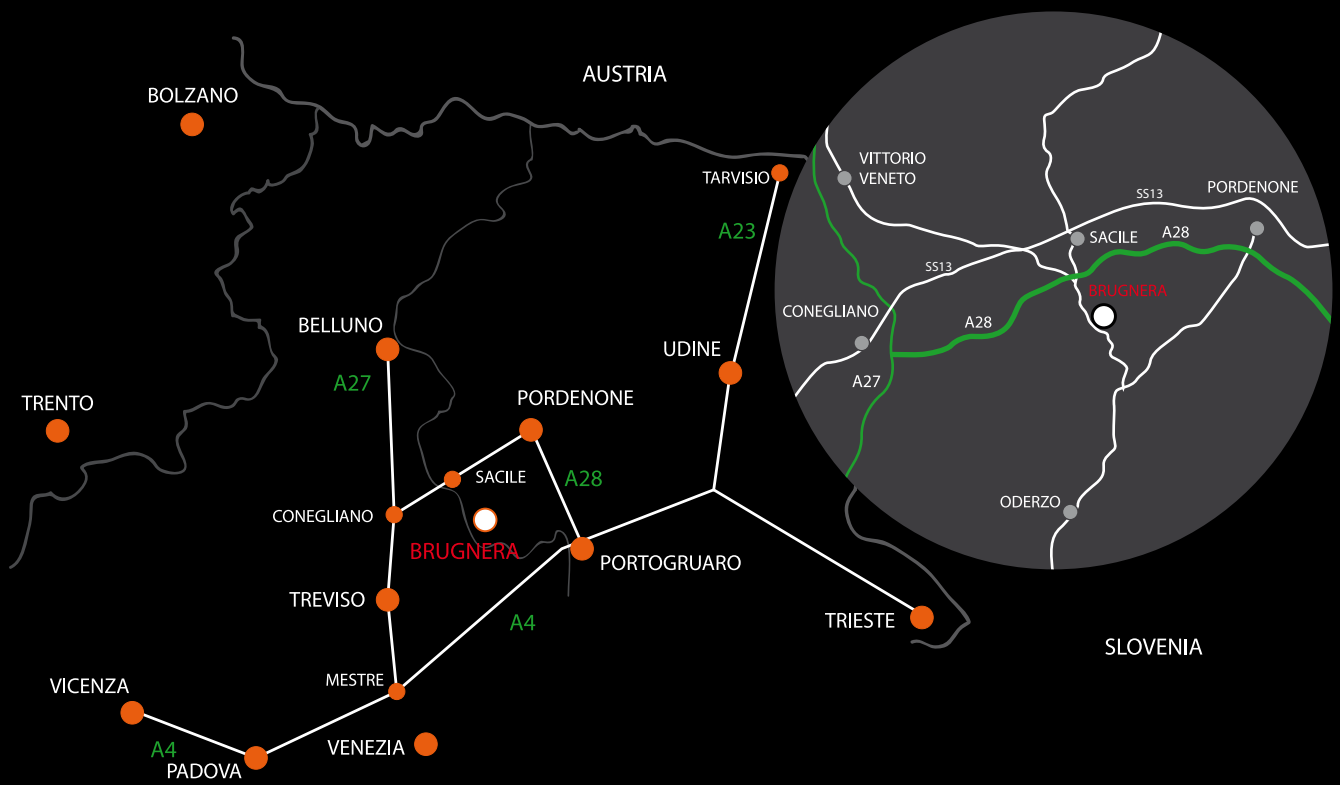
STANDARD APPLICATION



INSTALLMENT WITH ADAPTOR







ITALIANA FERRAMENTA

Via Taglio n° 87 I - 33070 Maron di Brugnera (PN) Tel. +39 0434 428211 Fax +39 0434 428242 www.italianaferramenta.com info@italianaferramenta.it